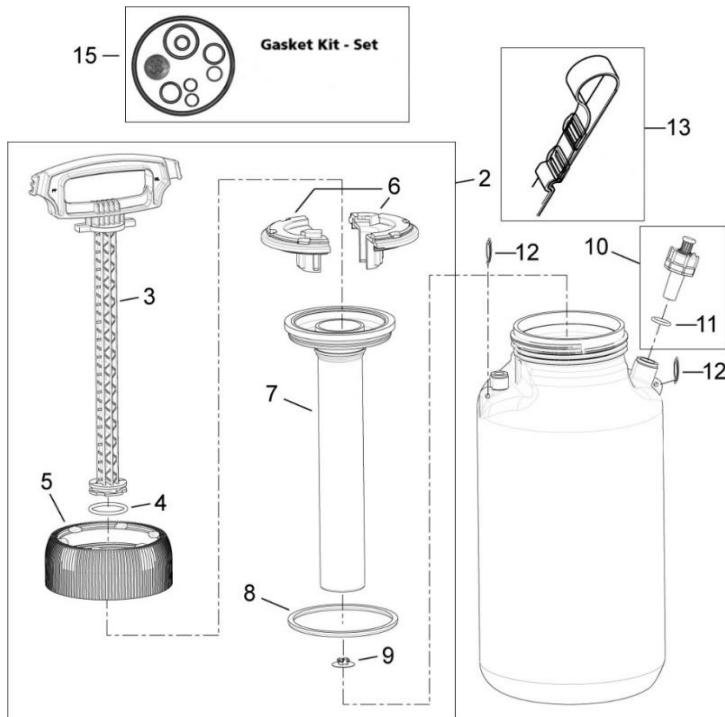




456.457.458 Basic Unit

Pos.- No.	Part No.	Quantity	Description	RRP
2	44 00 257	1	Air pump incl. (-> 2 - 9	\$76.02
3	40 73 835	1	Piston	\$17.05
4	00 62 264	1	O-ring	\$4.20
5	40 73 528	1	Tank lid	\$24.02
6	40 74 387 52	2	Guide	\$10.23
7	40 73 834 52	1	Cylinder	\$36.07
8	40 61 345	1	Gasket	\$8.36
9	00 94 308	1	Valve viton <-)	\$3.56
10	49 00 512	1	Pressure relief valve incl. (-> 10, 11	\$24.03
11	00 62 258	1	O-ring <-)	\$1.73
12	00 43 106	2	Spring ring	\$1.63
13	00 98 106	1	Carrying strap incl. (->13, 14	\$3.41
15	49 00 405K	1	Gasket kit	\$24.50



456.457.458 Spray Wand

Pos.- No.	Part No.	Quantity	Description	RRP
1	48 00 170P	1	Trigger Assy	\$26.00

2	06 10 402K	1	Repair kit incl. (-> 2, 3)	\$15.75
3	00 62 258	1	O-ring (-)	\$1.73
4	40 74 335	1	Lever	\$4.76
5	40 74 295 25	1	Bolt	\$3.32
6	40 74 329 25	1	Support bracket	\$1.62
7	40 74 336	1	Screw cap (-)	\$3.56
8	49 00 230P	1	Spray tube w. nozzle incl. -> 9 - 11	\$24.40
10	00 62 258	1	O-ring	\$1.73
11	40 74 337	1	Screw cap	\$3.56
13	00 62 115	2	O-ring	\$2.36
14	40 74 527 25	1	Elbow	\$7.17
15	40 74 922	1	Filter insert	\$3.56
16	00 62 106	1	O-ring	\$2.15
17	40 74 263 1	1	Flat spray nozzle	\$9.57
18	40 74 148	1	Screw cap (-))	\$3.56
19	00 62 271	1	O-ring	\$1.73
20	40 74 362	1	Screw nut	\$8.14
21	40 74 999	1	Screw cap	\$5.43
22	00 64 117	1	Reinforced tube	\$4.90
23	00 62 271	1	O-ring	\$1.73
24	40 74 484	1	Clamp	\$5.43
25	40 74 399	1	Connection	\$2.93
26	00 64 387	1	Tube	\$4.42
27	40 74 758	1	Nozzle	\$3.69
28	00 62 106	1	O-ring	\$2.15
29	40 74 756	1	Swirl plate	\$8.54

